

Pod Spot Adjustable User Data



RGBW
(White 4000k)

Tuneable White
(592nm - 6500k)

Single Colour
(R,G,B,A,W)

RGBA
(Amber 590nm)

4 Channel

4 Channel

1 Channel

4 Channel

280lm at source

446lm at source

-

227lm at source

4.8W per lamp

4.8W per lamp

1.2W per lamp

4.8W per lamp

4VF
Forward Voltage

4VF
Forward Voltage

4VF
Forward Voltage

4VF
Forward Voltage

350mA CC Input

350mA CC Input

350mA CC Input

350mA CC Input

15° / 25° / 40°
optic lens options

15° / 25° / 40°
optic lens options

15° / 25° / 40°
optic lens options

15° / 25° / 40°
optic lens options

IP44
Ingress Protection

IP44
Ingress Protection

IP44
Ingress Protection

IP44
Ingress Protection

RJ45
connectivity

RJ45
connectivity

RJ45
connectivity

RJ45
connectivity

Stainless Steel Housing

Stainless Steel Housing

Stainless Steel Housing

Stainless Steel Housing

-10°C / +40°C
Operating Temp

-10°C / +40°C
Operating Temp

-10°C / +40°C
Operating Temp

-10°C / +40°C
Operating Temp

Cooling System:
Convection

Cooling System:
Convection

Cooling System:
Convection

Cooling System:
Convection



User Data - Specifications

Date: 01/11/2016

Page 1/5

Pod Spot Adjustable User Data

More Options



Two-core Option Single Colour Units Only

Please refer to wiring on page 5

4VF

Forward Voltage

Accessories



T-Piece Connector
Supplied with RJ45

Compatible Drivers



Powers
12 pcs

LED Outputs
1

Max per Output
12 pcs

DMX Channels
1 - 4



Powers
12 pcs

LED Outputs
4

Max per Output
-

DMX Channels
1 - 16



Powers
48 pcs

LED Outputs
4

Max per Output
12 pcs

DMX Channels
1 - 16



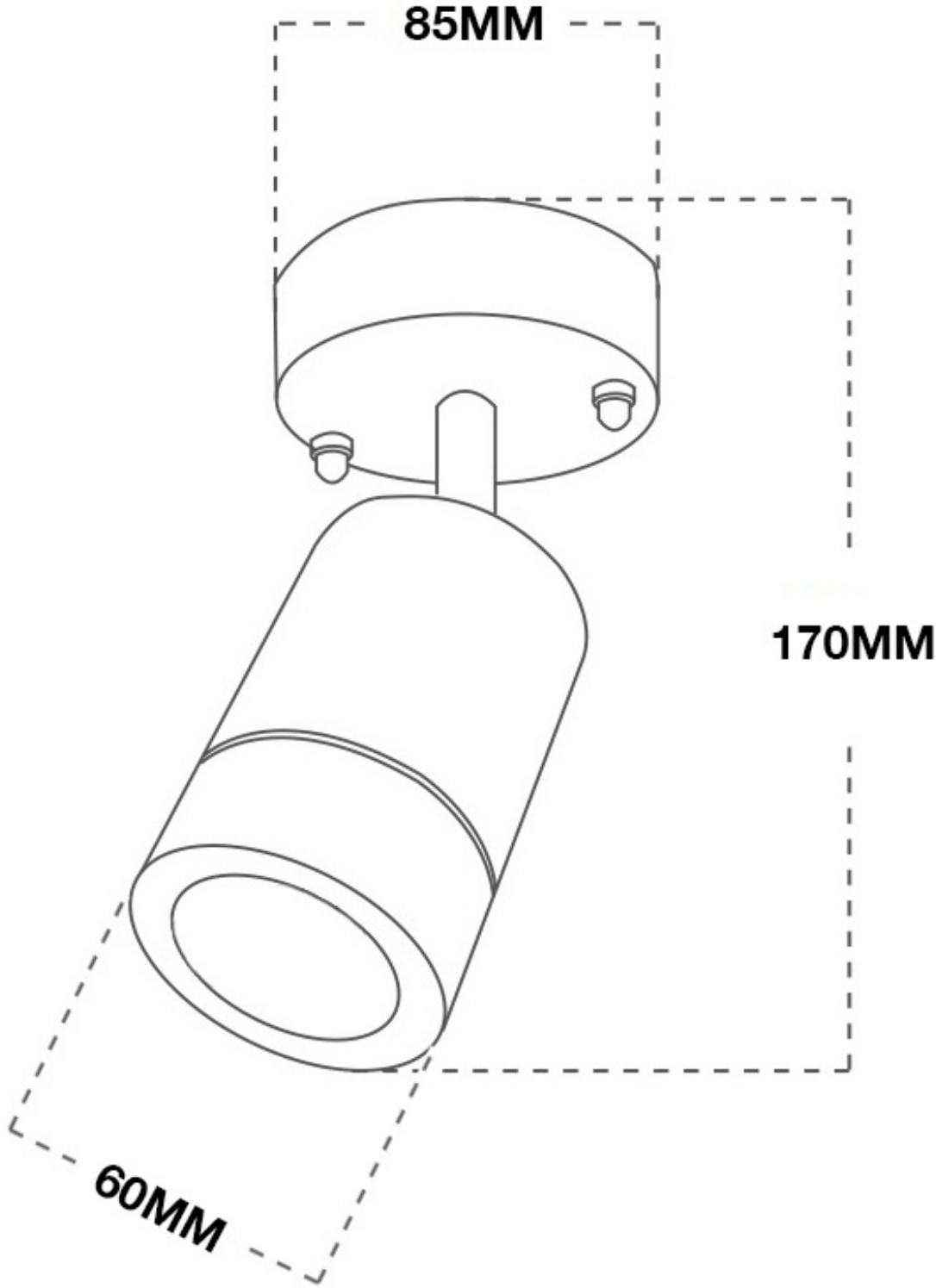
User Data - Specifications

Date: 01/11/2016

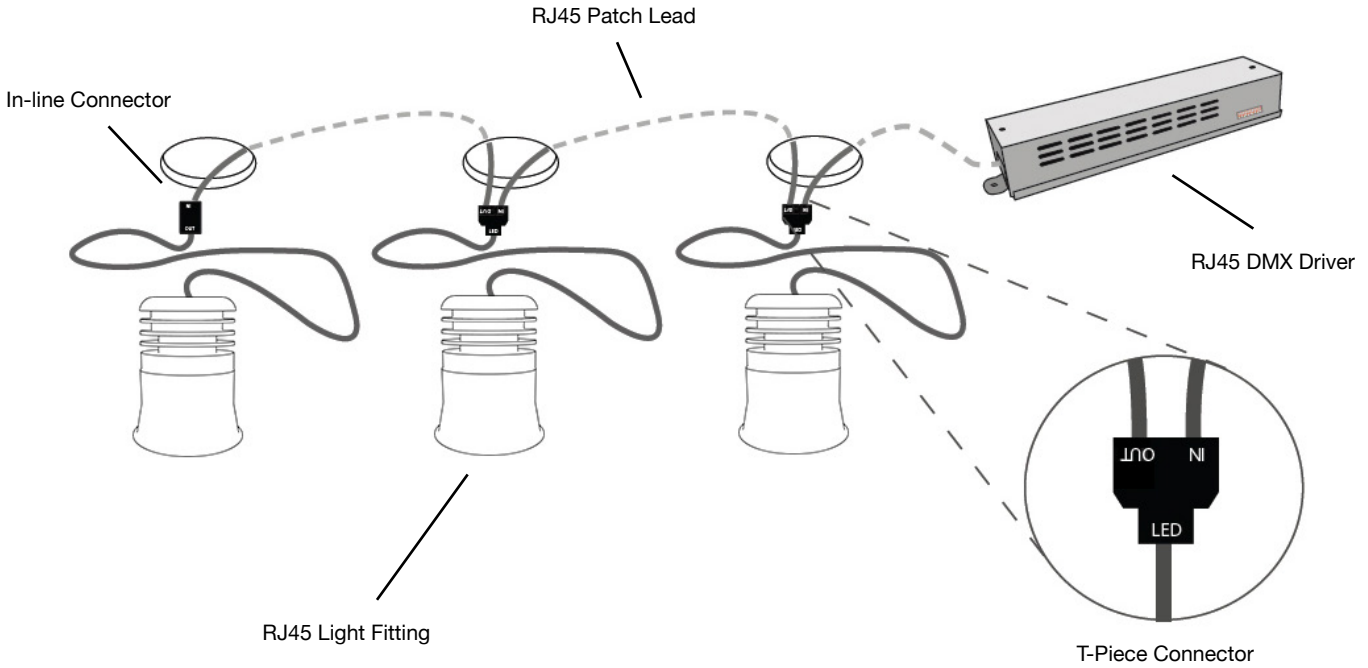
Page 2/5

Pod Spot Adjustable User Data

Dimensions



RJ45 System Wiring



WARNING! Example diagram only. Please read this section carefully before any installation work is carried out. All work should be carried out as per our instructions. Failure to do so may void any warranty. These instructions are to be used in addition to the Driver manuals.

IMPORTANT

All work involving electrical components should be carried out by a competent qualified electrical professional in accordance to IET BS 7671 and any local by-laws.

All mains power **MUST** be turned off before starting installation or maintenance; and **MUST** remain off for the duration of installation or maintenance.

Equipment may become hot to the touch when used for periods of time. Ensure equipment is off and cooled before carrying out maintenance.

DO NOT connect or disconnect light fittings while mains power is connected. All RJ45 connections **MUST** be made before mains power is connected. Failure to do so may result in catastrophic failure of the LED.

You can install any combination of RJ45 fittings from a single 'LED' output on the Driver, ensuring the total combined forward voltage of the fittings connected to any single 'LED' output **DOES NOT EXCEED 48V** and is **NO LESS THAN 8V**.

TESTING

You should test each fitting in isolation before continuing installation.

1. Disconnect the Driver from mains power.
2. Connect RJ45 light fitting to the 'LED' socket of the Driver in isolation.
3. Power up the Driver.
4. Press 'ENT' continuously to select RED, GREEN, BLUE and WHITE.
5. Repeat steps 1 to 4, for each fitting.

If each fitting lights up and displays each colour you can continue with your installation.

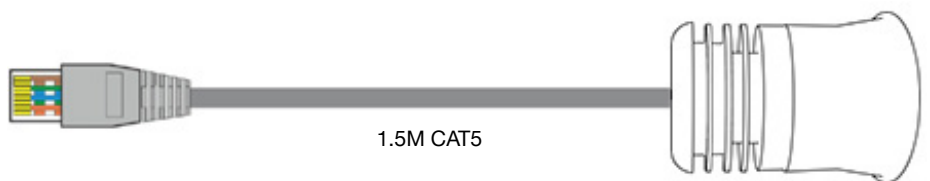
If a fitting does not light up or display each colour please contact us for help. Do not continue your installation.

INSTALLATION

Ensure you have carried out the testing before installation.

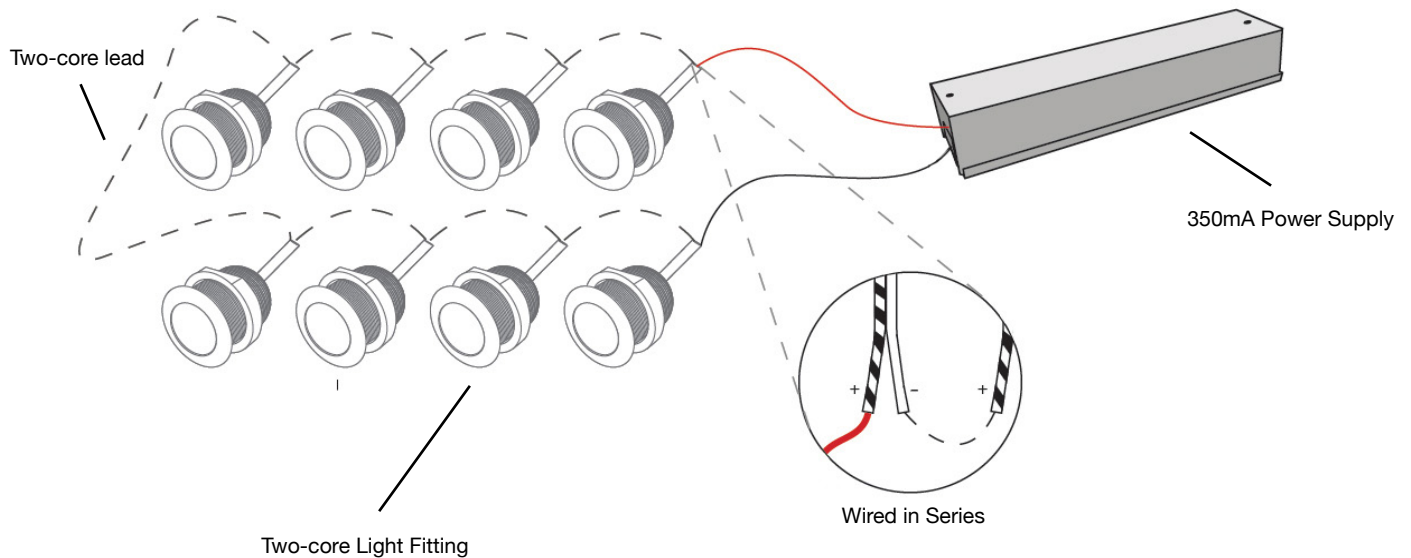
1. Disconnect the Driver from mains power.
2. Using a RJ45 patch lead connect from 'LED' socket of the Driver to 'IN' socket of T-Piece.
3. Connect the RJ45 of fitting to 'LED' socket of T-Piece (1x 'LED' socket, 1x 'IN' socket, 1x 'OUT' socket).
4. Connect a RJ45 patch lead from 'OUT' socket of T-Piece to 'IN' socket of next T-Piece.
5. Repeat steps 3. and 4 for each fitting, ensuring you do not exceed a total forward voltage of 48V to each 'LED' output of the Driver.
6. The last fitting should be terminated with an In-line connector in place of the last T-Piece. (1x 'IN' socket, 1x 'OUT' socket).

RJ45 Plug Wiring		
Pin	Function	Wire
1 -	Red +	Orange / White
2 -	Green +	Orange
3 -	Blue +	Green / White
4 -	White +	Blue
5 -	Red -	Blue / White
6 -	Green -	Green
7 -	Blue -	Brown / White
8 -	White -	Brown



Two-core System Wiring

Single Colour Wiring Option



WARNING! Example diagram only. Please read this section carefully before any installation work is carried out. All work should be carried out as per our instructions. Failure to do so may void any warranty. These instructions are to be used in addition to the Driver manuals.

IMPORTANT

All work involving electrical components should be carried out by a competent qualified electrical professional in accordance to IET BS 7671 and any local by-laws.

All mains power **MUST** be turned off before starting installation or maintenance; and **MUST** remain off for the duration of installation or maintenance.

Equipment may become hot to the touch when used for periods of time. Ensure equipment is off and cooled before carrying out maintenance.

DO NOT connect or disconnect light fittings while mains power is connected. All connections **MUST** be made before mains power is connected. Failure to do so may result in catastrophic failure of the LED.

You can install any combination of Two-core fittings from a single **350mA CC** power supply, ensuring the total combined forward voltage of the fittings connected to any given 350mA CC PSU **IS WITH IN** the PSU's stated DC Voltage range.

Any given circuit's combined forward voltage **MUST NOT EXCEED 48V**.

TESTING

You should test each fitting in isolation before continuing installation.

1. Disconnect the PSU from mains power.
2. Connect Two-core light fitting to the PSU in isolation.
3. Power up the PSU.
4. Repeat steps 1 to 3, for each fitting.

If each fitting lights up you can continue with your installation.

If a fitting does not light up please contact us for help. Do not continue your installation.

INSTALLATION

Ensure you have carried out the testing before installation.

1. Disconnect the PSU from mains power.
2. Connect the positive lead of your first fitting to the positive output of your PSU.
3. Connect the negative lead of your first fitting to the positive lead of your next fitting.
4. Repeat steps 2. and 3 for each fitting, ensuring you do not exceed the PSU's stated DC Voltage range or a combined forward voltage of 48V.
5. Connect the negative lead of the last fitting to the PSU's negative.

